

**Programmes After Market Services (P.A.M.S.)
Technical Documentation
NME-2A Series Transceivers**

**Service
Tools/Accessories**

[This page intentionally left blank]

Contents – Service Tools/Accessories

	Page No
List of Service Accessories	5
Audio Test Box JBA-3	5
Product Code	5
View of Audio Test Box	6
Service Cable	6
Product Code	6
View of Service Cable	6
System Cable SCM-1	7
Product Code	7
View of System Cable	7
Remote SIM Reader CAE-2 and SIM Snap with Connector & Cable DKS-4	8
Product Code	8
View of External SIM Reader and Accessories	8
SIM Guide Removal Tool SRT-1	9
Product Code	9
View of SIM Guide Removal Tool	9
Modular Cable DKH-1	10
Product Code	10
View of Modular Cable	10
PC/MBUS Adapter DAU-2	11
Product Code	11
View of DAU-2	11
D9/D25 RS-232 Adapter	11
Product Code	11
View of Adapter	11
SW Security Device "Dongle" PKD-1	12
Product Code	12
View of SW Security Device	12
Flash Prommer FPS-3	13
Product Code	13
View of Flash Prommer	13

This page intentionally left blank.

List of Service Accessories

Audio Test Box JBA-3

The Audio Test Box has two main functions:

- To assemble the DAU-2 PC/MBUS adapter cable, the Handset's spiral cable, and the Transceiver MBUS cable, so service software's audio test can be performed.
- To connect the handset audio to the Cellular GSM Tester, so the the audio frequency and audio signal value can be measured. It is also possible insert an external audio generator into "Ext MIC Input", and switch between the ext. audio and int. handset MIC. E.i. with the switch in the "Handset MIC Output" position it is possible to monitor signals from the handset and when the switch is in the "Ext MIC Input" position an external microphone/generator may be monitored. The "Handset EAR Output" is output from the transceiver to the earpiece, monitoring the uplink signal.

For audio testing connect the coaxial cable as follows:

- Connect both coaxial BNC-BNC cable to the connectors of AudioTest Box marked as Ext MIC input and Handset EAR output.
- Attach Handset EAR output line to AF INPUT of test equipment.
- Attach EXT MIC input line to MOD GEN OUTPUT of test equipment and switch to "EXT MIC INPUT".

For service software use connect the cable as follows:

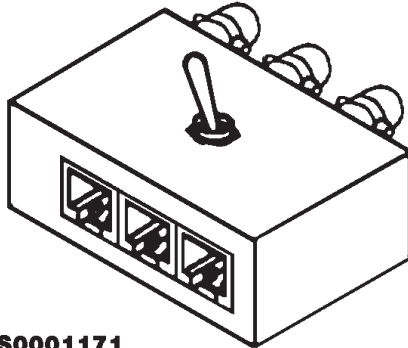
- Attach the handset's spiral cable to the "Handset" on the Audio Test Box
- Attach one end of the DKH-1 Modular cable to the DAU-2 and the other end to the Audio Test Box.
- Attach one end of the DKH-1 Modular cable to the phone's system cable and the other end to the Audio Test Box.

Product Code

Audio Test Box JBA-3:

0694044

View of Audio Test Box



S0001171

Service Cable

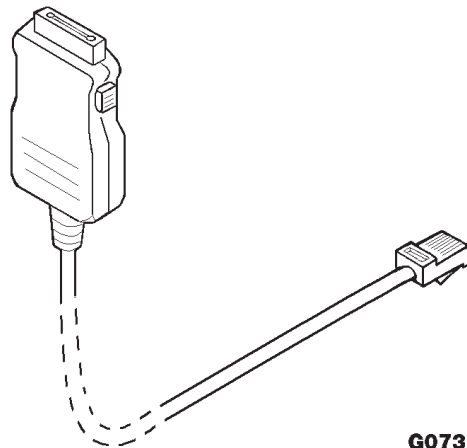
The service cable offers an optional possibility to test phone if audio test box is not available.

Product Code

Service Cable:

0730038

View of Service Cable



G0730039

System Cable SCM-1

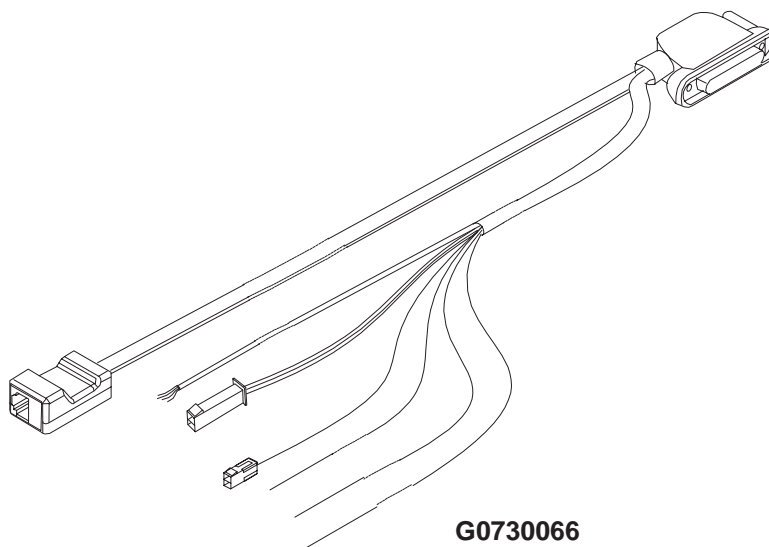
The system cable connects the phone to the power supply and service accessories.

Product Code

System Cable:

0730066

View of System Cable



Remote SIM Reader CAE-2 and SIM Snap with Connector & Cable DKS-4

The Remote SIM Reader has only one function, namely to connect a SIM card to the phone when it is disassembled. The normal SIM card holder can not be used as it is part of the mechanics.

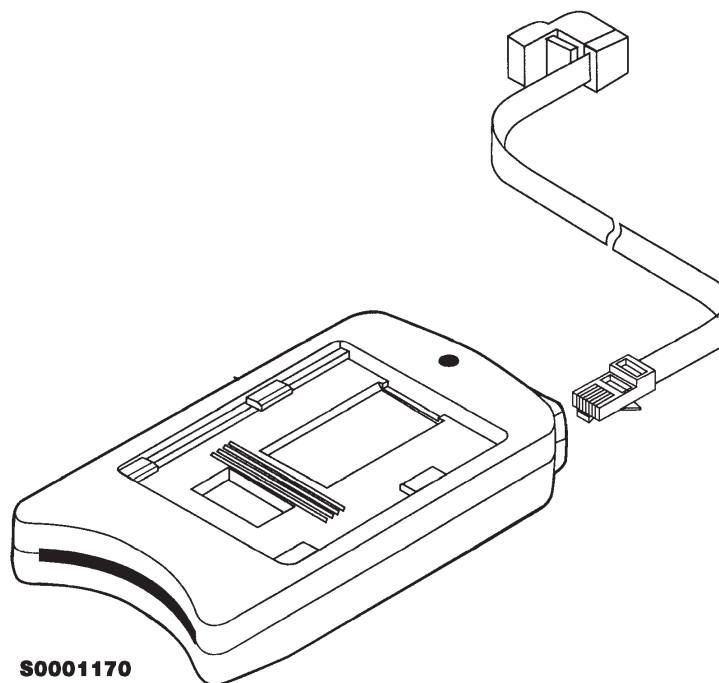
The reader consists of two parts: firstly a snap with integrated PCB and a cable and secondly a modified NME-1 external cardreader. (can only be used for this application !)

The function is very simple. A large SIM card (network or test SIM) is inserted into the SIM reader, the 8-pin modular connector is connected to the reader and the snap is fitted on top of the SIM reader mounted on the PCB and clicked in position. Observe that the card detect switch is engaged. The NME-2 transceiver is then operational.

Product Code

Remote SIM Reader CAE-2:	0630098
SIM Snap with Connector & Cable DKS-4:	0750106

View of External SIM Reader and Accessories



SIM Guide Removal Tool SRT-1

The tool is designed to destructively remove the SIM guide plastic part from the bottom enclosure.

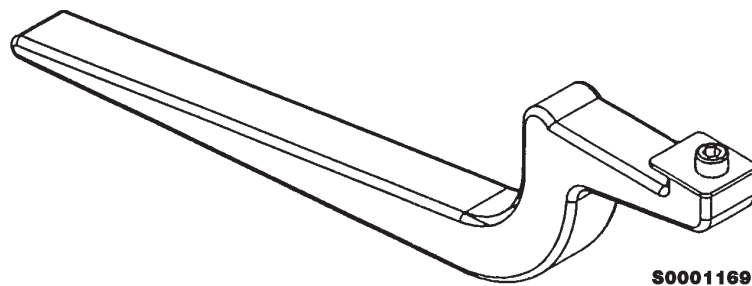
To remove a SIM guide, insert the little steel plate under the SIM guide and apply downward force to the lever and the guide will break off. New SIM guides can be ordered, code 9450588.

Product Code

SIM Tool SRT-1:

0750104

View of SIM Guide Removal Tool



Modular Cable DKH-1

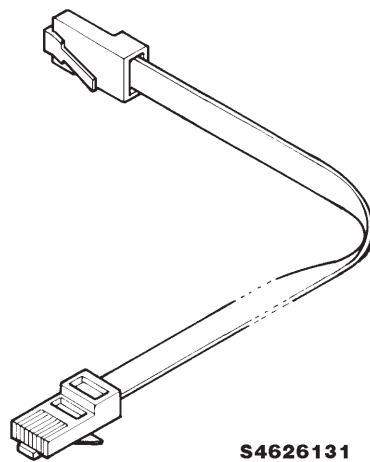
DKH-1 is a standard 1 meter long flat cable with male modular-8 connectors in both ends. In a complete service concept two pieces of the DKH-1 is needed.

Product Code

Modular Cable:

9780084

View of Modular Cable



PC/MBUS Adapter DAU-2

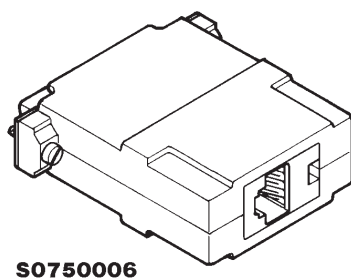
DAU-2 is connected between the phone and the serial (COM) port of the PC. It matches the M2BUS data bus signals to the serial data bus of the computer.

Product Code

PC/MBUS Adapter DAU-2:

0750006

View of DAU-2



D9/D25 RS-232 Adapter

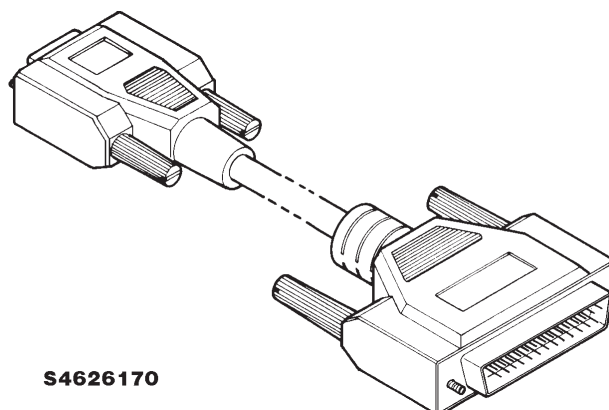
Suitable adapter between DAU-2 and computers having 9 pin D connector as a serial port.

Product Code

D9/D25 RS-232 Adapter:

4626170

View of Adapter



SW Security Device "Dongle" PKD-1

SW security device "Dongle" is a piece of hardware enabling the use of the service software when connected to the parallel (LPT) port of the PC. Without the dongle present it is not possible to use the service software. Printer or any such device can be connected to the PC through the dongle if needed.

Caution: Make sure that you have switched off the PC and the printer before

making connections!

Caution: Do not connected the PKD-1 to the serial port. You may damage

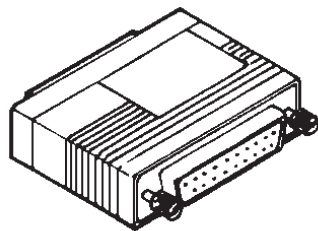
your PKD-1!

Product Code

SW Security Device PKD-1:

0750018

View of SW Security Device



G0750018

Flash Prommer FPS-3

FLASH prommer is used to update the main software of the phone, should that some day become necessary. Updating is done by first loading the new MCU software from PC to the FLASH prommer and then loading the new SW from prommer to the phone. When updating more than one phone in a row, the new MCU SW must be loaded to the prommer only in the beginning.

Service software (called also PC Locals) is used to control the functions of the phone with IBM compatible PC/286 or higher or compatible personal computer during the service work. PC and PC Locals are maybe the most important service tools nowadays.

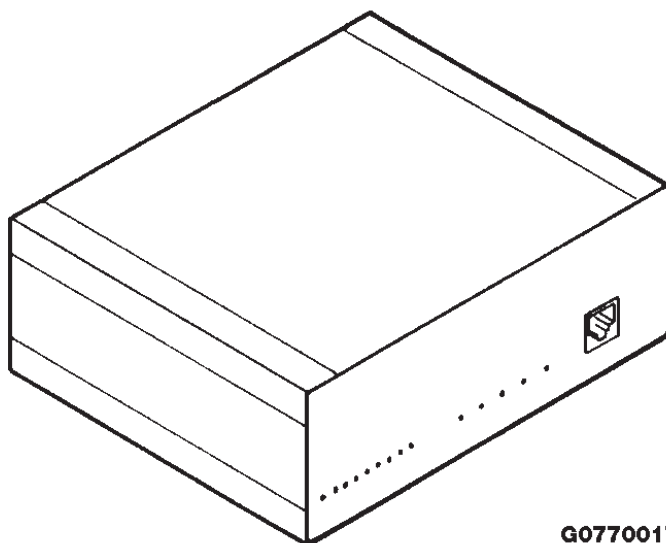
Please refer to the Flash Prommer's user's guide for instructions on the flash prommer's installation and operation.

Product Code

Flash Prommer:

0770017

View of Flash Prommer



G0770017

This page intentionally left blank.